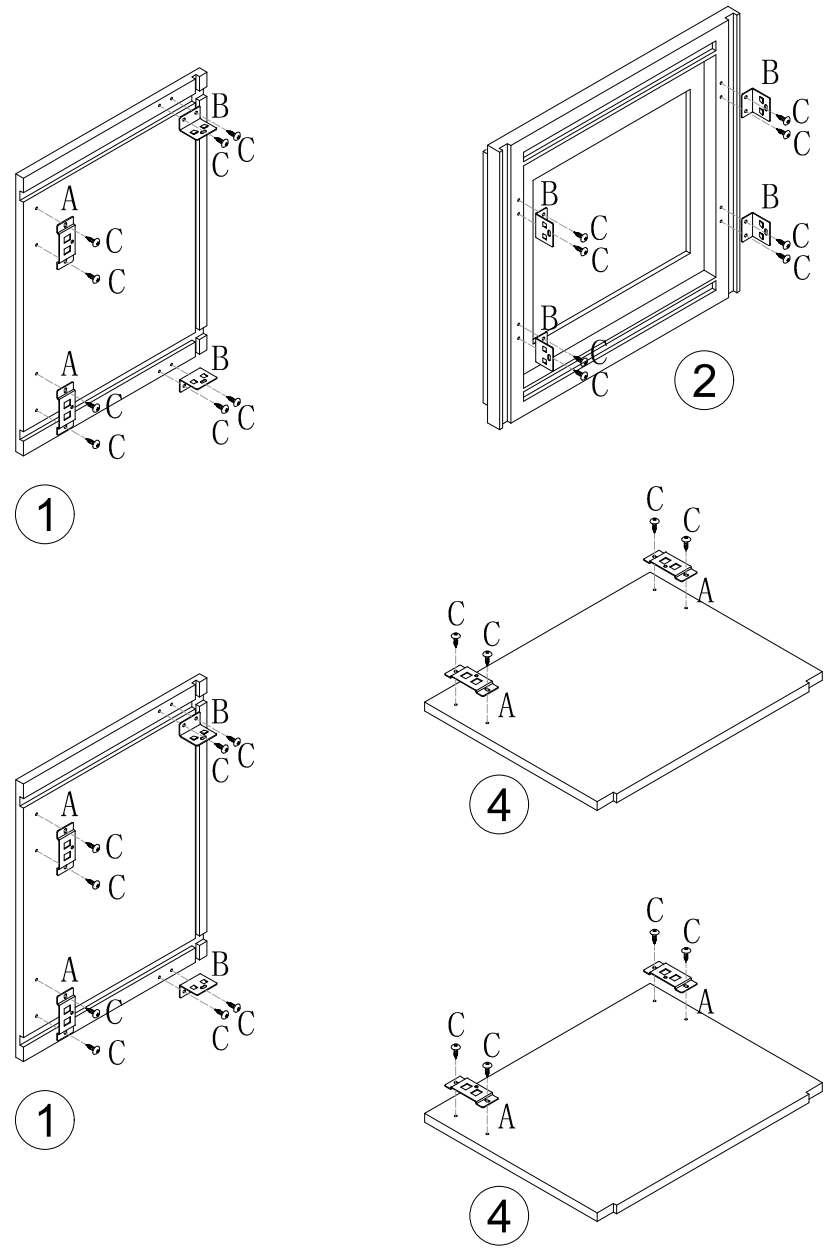
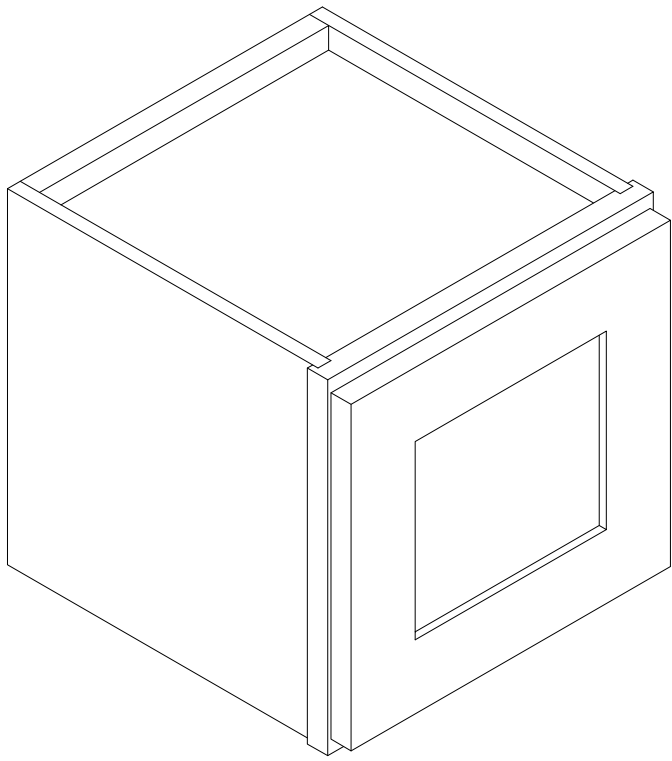



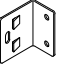

# ASSEMBLY INSTRUCTIONS

W1512/W1812

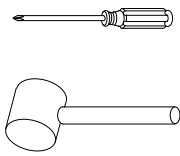
## Step 1



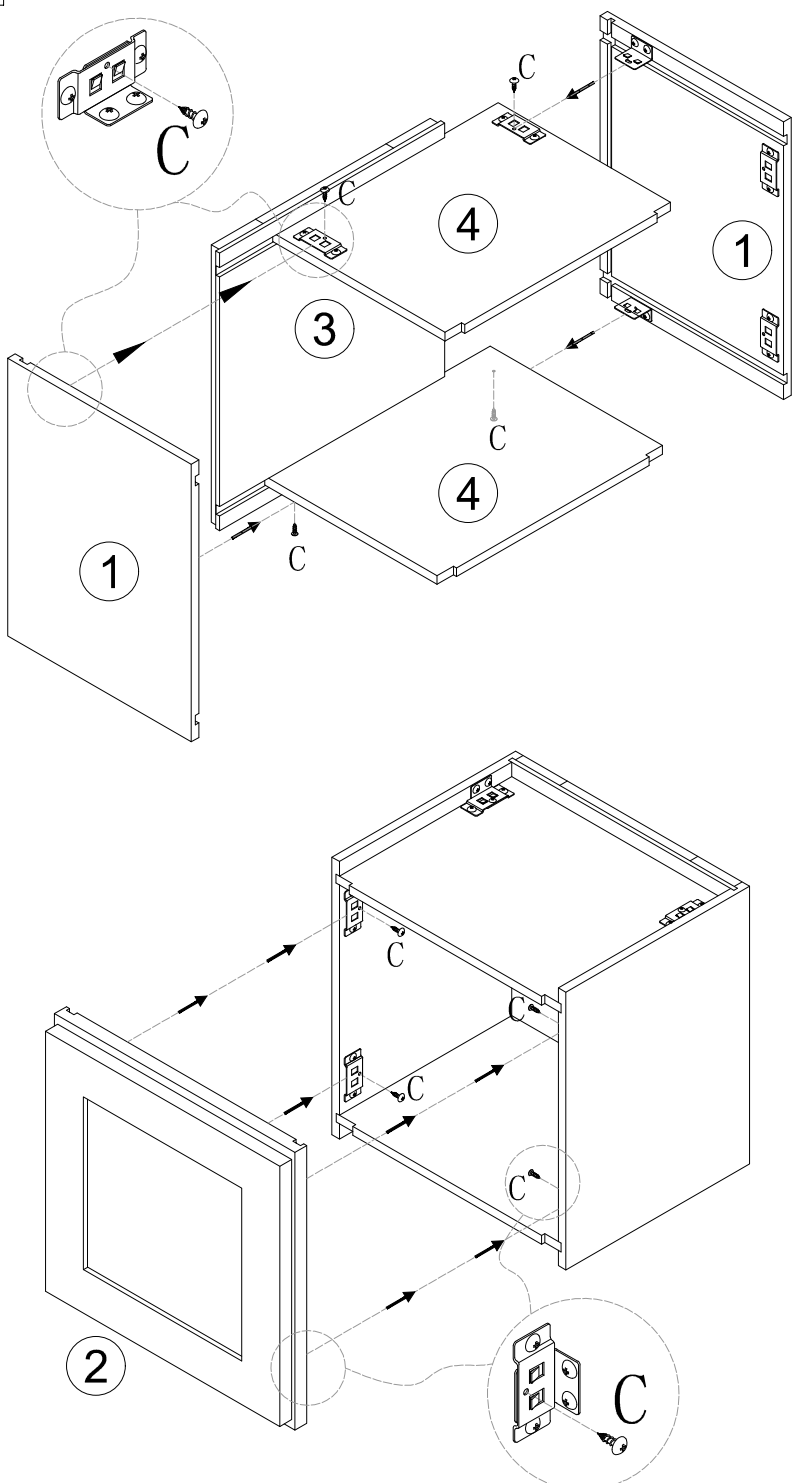
### Parts list

NO.	Parts	QTY
A		8
B		8
C	 (M4*0.47")	40

### Tools (required but not provided)



## Step 2



## Finished

